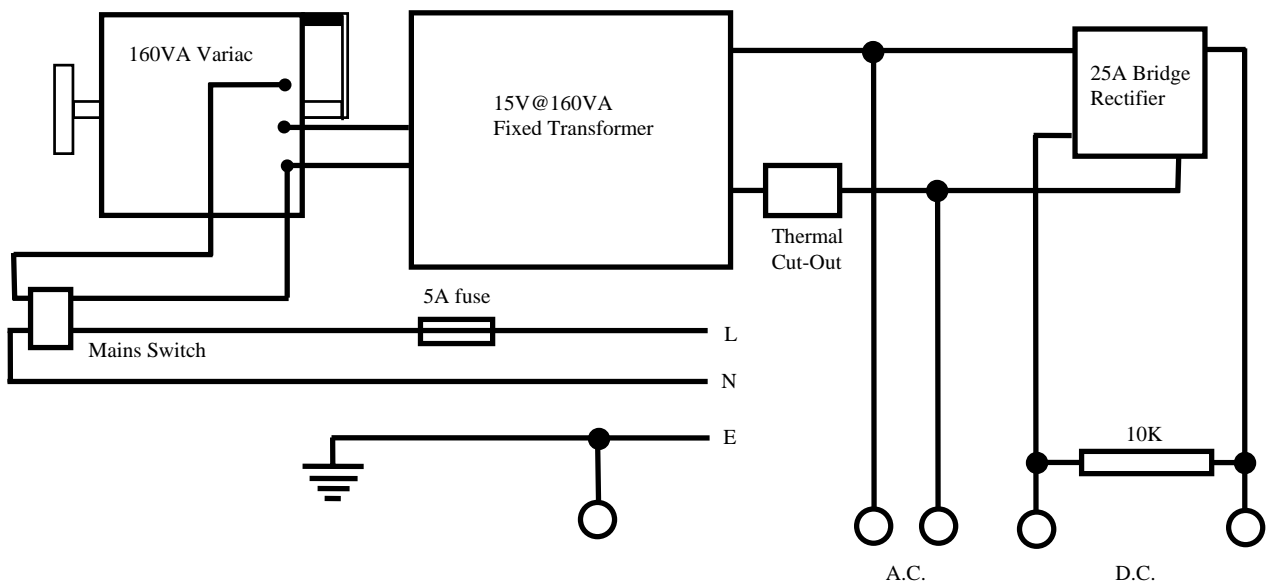


10A Variable Power Supply

The power supply offers 0-16 a.c. at 10A and 0-12V d.c. at 10A. These ratings are for continuous use and may be exceeded for short duration use. The unit is fitted with a thermal trip to protect against overload or short circuit conditions. The actual voltage is dependent on the output current drawn and so if accuracy is required, a voltmeter should be used.

The unit is fitted with 4mm terminal posts which will accept 4mm plugs, crocodile clips, and spade terminals. If the terminal is unscrewed it will also accept 2mm plugs and bared wire.



The unit is fused with a 5A, 20mm fuse which is located on the rear panel above the mains inlet.

This is a Class 1 unit (earthed). Therefore when performing safety checks with a portable appliance tester in accordance with Health & Safety Executive leaflet GS23 (ISBN 0 11 883567 X) the test lead may be connected to any unpainted metal point. The easiest points to use are the carrying handle ends and the eight lid securing screws.

Electromagnetic Compatibility

The use of this apparatus outside the classroom, laboratory, study area or similar such place invalidates the conformity with the protection requirements of the Electromagnetic Compatibility Directive (89/336/EEC) and could lead to prosecution.