

8A Variable Power Supply

General Description

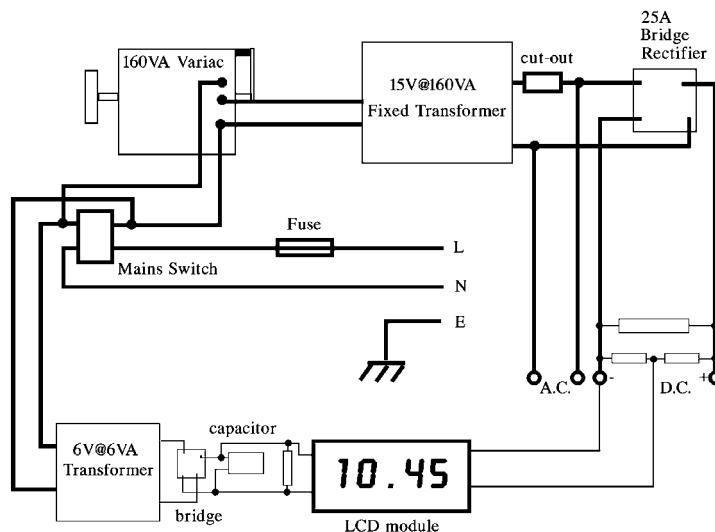
The unit is designed to deliver up to 12V dc or 15V ac @ 8amps continuous use. The voltmeter monitors the **dc output only**. If ac is drawn the voltmeter will still give an indication but it will be about 2.5V lower than the actual ac voltage delivered. The cut-out operates on both ac and dc and trips when the rated current is exceeded i.e. above 8A dc or ac. The cut-out button will pop out when excess current is drawn or a short circuit is applied. Please wait about 30 seconds before resetting. N.B. the output is unregulated. This means that to accurately achieve a particular on-load voltage it is advisable to reduce the voltage, connect the load and then bring the voltage up to the required reading. When delivering a high, continuous current the unit case will become warm; this does not constitute a fault. The unit is switched on using a rocker switch on the rear panel. When switched on the meter will display the d.c.voltage. When switched off the meter will fade within 5 seconds. Below the switch is sited the mains fuse – this is rated at 5A and is a 20mm, quick blow type.

Setting the voltage limiter.

Turn the voltage control knob to the required maximum voltage. Turn the power pack upside down and rest it on the handle with the front panel facing towards you. Making sure that the swinging arm is to the right of and lying against the fixed thread, tighten the screw with a screwdriver. Cancel by loosening the screw. The one or two screws, which secure the black knob, should not be over-tightened. The design is such that the knob should turn on the shaft when the limit is reached.

Specifications

Input voltage	230V ac
Output voltage	0-12V dc 0-15V ac
Output current	8A continuous
Reset	push button type
Meter	LCD dc only
Voltage lock	swinging arm
Fuse	5A, 20mm quick blow
Mains	fixed mains cable approx. 2m with moulded plug
Dimensions	185x200x100mm



© Electrosound 2004

**Electrosound, 30 Goulds Farm, Shalford Road, Rayne, Essex
Tel/Fax 01376 340506**