

APS Multivoltage Power Supply

General Description

The unit supplies 1.5, 3, 4.5, 6, 7.5, 9 or 12V dc at a current of up to 1.2A. The output voltage is selected by use of the screwdriver slot switch on the top of the unit and is delivered via colour coded 4mm terminal posts. The input voltage is 240V 50Hz ac.

Using The Unit

Plug the unit into a suitable mains supply. The red led on the top of the unit will glow red showing that output is available. Should the led not glow or the brightness starts to fade, turn the selector switch slightly using a suitable screwdriver - when the switch is between settings, there is no output voltage. If the led still does not glow, the mains plug fuse should be checked - replacement fuse should be 3A.

The output voltages are marked around the selector switch. When selecting a voltage, the switch should be slowly turned. As the switch moves between settings, the led dims slightly - as the setting is reached, the led will glow brightly.

Connections can be made to the red and black terminals using 4mm plugs, 2mm plugs, crocodile clips, spade terminals or bared wire. The plastic section of the terminal may be unscrewed and tightened onto spade clips. If the plastic section is unscrewed, a 2mm cross drilled hole will be revealed which will accept 2mm plugs or bared wire. When using plastic coated wire, be sure that the ends are stripped and that the metal core of the wire is clamped in the hole. If the plastic covering is inadvertently clamped instead of the metal core, the connection will look sound but no current will flow.

Short Circuit Protection

The APS Multivoltage Power Supply has a short circuit overload protection system. If the red light goes dim when in use, then the fault lies in the circuit which is being connected to the Power Supply. Remove the fault and the unit will reset within five seconds. Prolonged shorting should be avoided.

Specification

Input

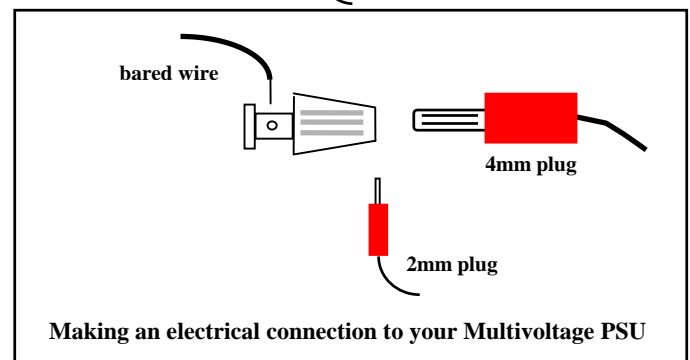
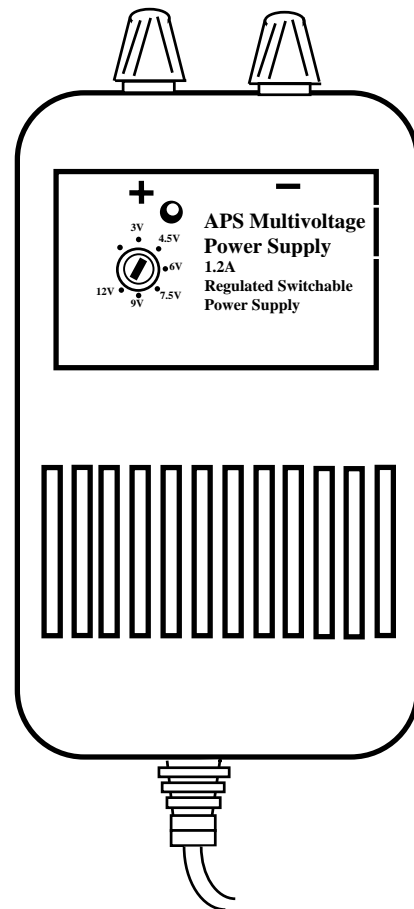
Supply voltage	230V ac
Supply frequency	50Hz
Maximum power	20W
Mains plug fuse rating	3A

Output

1.5-12V dc regulated switchable at
1.2A maximum

Safety Testing

The unit is double insulated and is rated as a 'Class 2' (double insulated) appliance for the purposes of electrical safety testing. For further details on electrical safety testing please consult HSE Guidance Note GS23 (ISBN 0 11 883567 X). The unit contains no user serviceable parts and the case is fixed with tamperproof screws.



Electromagnetic Compatibility

The use of this apparatus outside the classroom, laboratory, study area or similar such place invalidates the conformity with the protection requirements of the Electromagnetic Compatibility Directive (89/336/EEC) and could lead to prosecution.