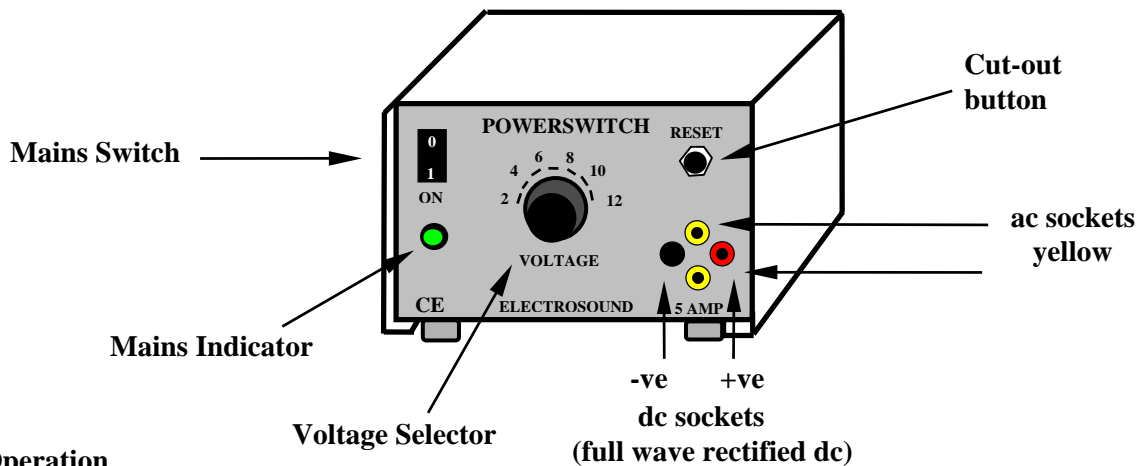


Powerswitch Low Voltage Power Supply Unit



Operation

Plug the unit into a mains socket and switch on using the rocker switch. Mains power is indicated by the led below the mains switch. If this fails to illuminate, check the fuse in the holder on the back panel. Replacement fuse is 2A, 20mm quick blow. The mains plug fuse (3A) should also be checked.

The unit supplies 2-12V a.c. and d.c. at up to 5A. The outputs are unregulated which means that the output voltage will be somewhat dependent on the amount of current being drawn. In circumstances where you need to know the precise output voltage, a voltmeter should be used. The d.c. voltages will be approximately 1V below the a.c. voltages due to the voltage drop across the internal bridge rectifier.

The load should be removed when altering the voltage selector switch.

Under short circuit or overload conditions the push button cut-out will operate by clicking outwards. Should this occur, the fault should be removed and/or rectified and then the button pushed back in. The cut-out takes approximately five seconds to recover and may not be reset within this time.

Electrical Safety Testing

The unit is of Class 1 construction. Suitable earth bond test points are any of the bolt heads on the underside of the unit. For further details on safety testing, please refer to Health and Safety Executive leaflet GS23 (ISBN 0 11 883567 X).

Specification

Input

Supply voltage	230V ac
Supply frequency	50Hz
Mains fuse	
Rear panel	2A, 20mm quick blow
Mains plug	3A

Output

Voltage	2, 4, 6, 8, 10, 12V ac nominal 1, 3, 5, 7, 9, 11V fwr dc nominal
Maximum output current	5A ac or dc

Electromagnetic Compatibility

The use of this apparatus outside the classroom, laboratory, study area or similar such place invalidates the conformity with the protection requirements of the Electromagnetic Compatibility Directive (89/336/EEC) and could lead to prosecution.